



SIRIO
antenne

10-11 meters
ANTENNAS

New Release

2020 - 2021

MADE IN ITALY since 1972



ALWAYS SUPPORT YOU....



SIRIO
antenne

COMPANY
PROFILE

MADE IN ITALY

Sirio Antenne was founded in 1972 by Giuseppe Grazioli and during almost 48 years the company got a considerable growth on the international markets earning the reputation of a reliable high quality supplier in the field of communication.

ALL PRODUCTS are 100% manufactured in ITALY. From the R&D to the final assembling the process is entirely handled according to the ISO 9001:2015 standards to grant the best quality.



HEADQUARTER



ISO 9001:2015
certified since 2004

RoHS3
compliance

according to EU directive 2015/863/EC



The single antenna is a passive accessory and no CE APPROVAL is required

GENUINE ONLY
CHECK THE SIRIO ORIGINAL PRODUCTS ON
WWW.SIRIOANTENNE.IT

Scratchable area to
discover your password

- E** Descubra su código y compruebe que su producto es ORIGINAL
- GB** Scratch-off and use your password to check the ORIGINAL product
- RU** Сотрите и используйте пароль для проверки подлинности продукта.
- PL** Zdrap i użyj hasła aby sprawdzić czy produkt jest ORYGINALNY
- RO** Razuiți si utilizați parola pentru a afla dacă produsul este ORIGINAL
- CZ** Seškrábnete ochranou vrstvou a podle kódu, který se vám zobrazí, zkontrolujte, že se jedná o originální SIRIO





MADE IN ITALY since 1972

Gain-Master

Hi-Tech Fiberglass Base Station Antenna for Ham band

FEATURES

- # 0.625 λ center feeded vertical dipole
- # 1 to 2 dB higher gain than conventional 5/8 λ
- # Low radiation angle for excellent DX
- # Fiberglass 4 sections composite tube
- # DC-Ground protection
- # PLUG & PLAY, no tuning required

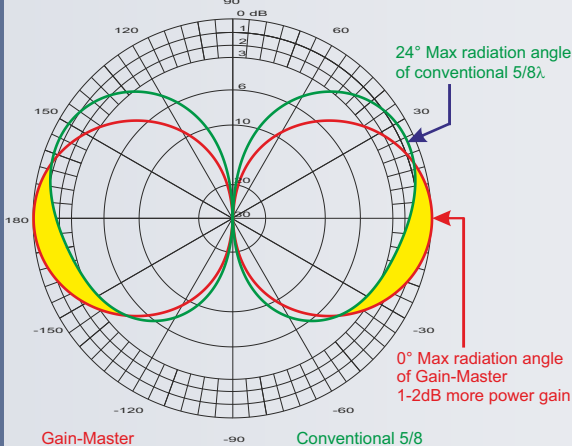
TECHNICAL DATA

Type: 5/8 λ center feed vertical dipole
 Impedance: 50 Ω
 Frequency range @ SWR \leq 2:
 25.5 - 30 MHz wide band from 10m to 12m* ham band
 Radiation: omnidirectional
 Polarization: linear vertical
 Max. power: 500 Watts (CW) continuous
 Gain: 1 to 2 dB higher than conventional 5/8 λ
 Wind resistance: w/bracing system: 160 km/h, 100 mi/h
 Height (approx.): 7360 mm, 24ft
 Weight (approx.): 3000 gr, 6.6 lb
 Connector: ... UHF-female, PTFE insulator & gold plated central pin
 Mounting mast: \varnothing 35-54 mm, \varnothing 1.4 - 2.1 in

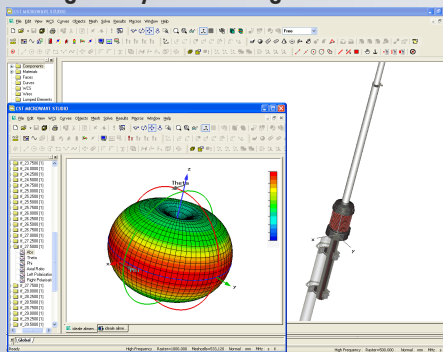
* 12m band covered with manual or automatic antenna tuner.

P/N 2113220.00 GAIN-MASTER

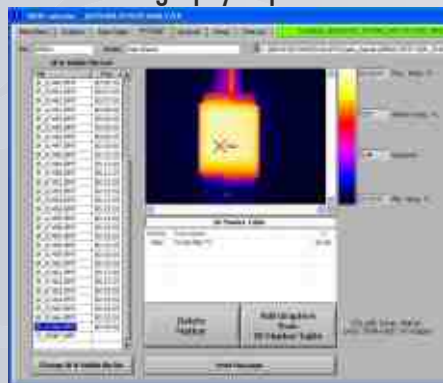
TYPICAL RADIATION PATTERN



Designed by electromagnetic simulation



Thermography of power test



PLUG & PLAY

Wideband
No tuning required



COAXIAL RF
CHOKE COIL

ALUMINIUM BRACKET
& TUBE, STAINLESS
STEEL HARDWARE

WARNING

INSTALLATION OF THIS PRODUCT NEAR POWER LINES IS DANGEROUS. FOR YOUR SAFETY AND BEFORE YOU BEGIN INSTALLATION, READ THE SEPARATE SAFETY INFORMATION SHEET.

More technical information on: www.gain-master.it
Gain-Master™ is a registered Trade Mark of SIRIO antenne s.r.l.





MADE IN ITALY since 1972

Gain-Master™ HW

Hi-Tech Fiberglass Base Station Antenna for Ham band

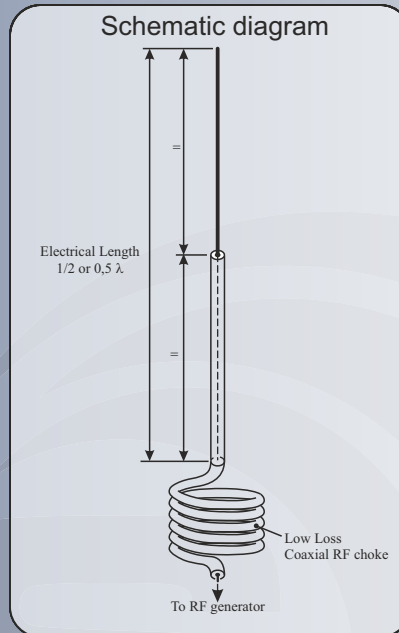


FEATURES

- # 0.5 λ center feeded vertical dipole
- # Tunable Base station antenna
- # Omnidirectional
- # Low radiation angle for excellent DX
- # Fiberglass 3 sections composite tube

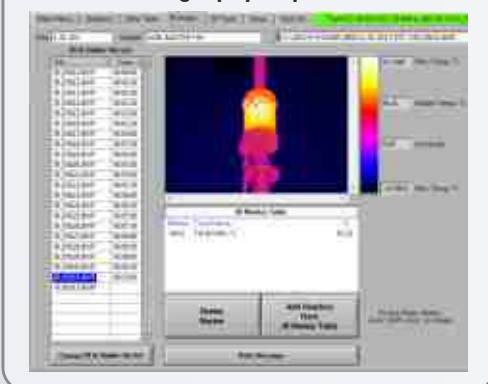
TECHNICAL DATA

Type: 1/2 λ center feed vertical dipole
 Impedance: 50 Ω
 Frequency range: 27.2 ... 30MHz tunable
 Radiation: omnidirectional
 Polarization: linear vertical
 Max. power: 500 Watts (CW) continuous
 Bandwidth @ SWR ≤ 2: 1.8 MHz @ 27.2 MHz
 Gain: 0 dBd, 2.15 dBi
 Wind resistance: 160 km/h, 100 mi/h
 Height (approx.): 5560 mm, 18.2ft
 Weight (approx.): 1600 gr, 5.76 lb
 Connector: ... UHF-female, PTFE insulator & gold plated central pin
 Mounting mast: Ø 35-54 mm, Ø1.4 -2.1 in



P/N 2113120.00 GAIN-MASTER HW

Thermography of power test



COAXIAL RF CHOKING COIL

ALUMINIUM BRACKET & TUBE, STAINLESS STEEL HARDWARE



WARNING

INSTALLATION OF THIS PRODUCT NEAR POWER LINES IS DANGEROUS. FOR YOUR SAFETY AND BEFORE YOU BEGIN INSTALLATION, READ THE SEPARATE SAFETY INFORMATION SHEET.



MADE IN ITALY since 1972

SIRIO 827 BLIZZARD 2700

FEATURES

- # Tunable Base station antenna
- # Omnidirectional
- # Very Heavy duty constructions
- # High power handling capability
- # Low radiation angle for excellent DX
- # Equipped with excellent multi element ground plane
- # Made of aluminium alloy 6063 T-832
- # DC-Ground protection

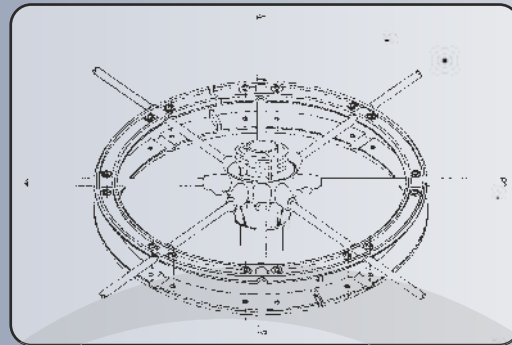
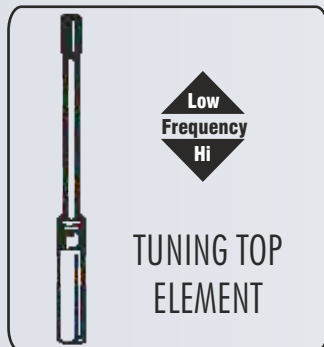
TECHNICAL DATA

Type: 5/8 λ ground plane
 Impedance: 50 Ω
 Frequency range: 26.4 ... 28.4 MHz tunable
 Radiation: omnidirectional
 Polarization: linear vertical
 SWR @ res. freq.: ≤ 1.1
 Max. power: 1000 Watts (CW) continuous
 3000 Watts (CW) short time
 Bandwidth @ SWR 2: ≥ 2 MHz
 Gain: 1.5 dBd, 3.65 dBi
 Wind resistance: 130 km/h, 81 mi/h
 Height (approx.): 6700 mm, 22 ft
 Weight (approx.): 6000 gr, 13.2 lb
 Radial length (approx.): 1400 mm, 55 in
 Connector: UHF-female
 Mounting mast: \varnothing 35-39 mm, \varnothing 1.4-1.5 in

P/N 2104801.00 SIRIO 827
 P/N 2104801.00/BLIZ BLIZZARD 2700

SPARE PARTS

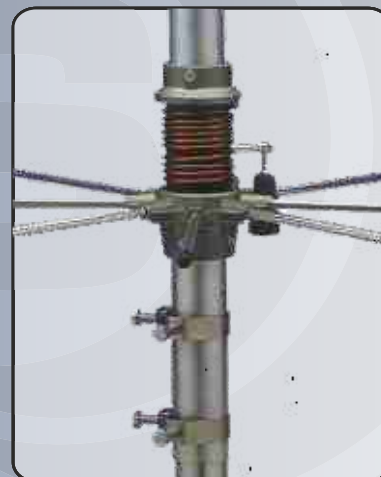
P/N 2530601.00 1x Radial SIRIO 827



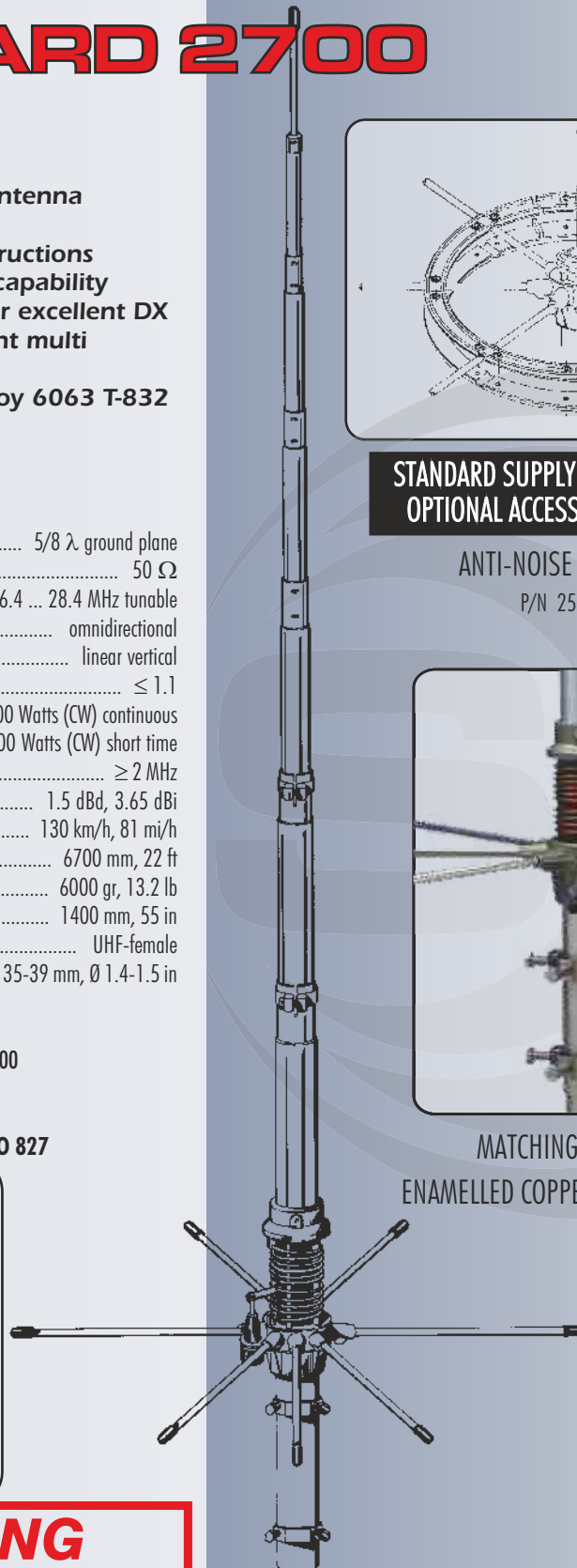
STANDARD SUPPLY FOR BLIZZARD 2700
 OPTIONAL ACCESSORY FOR SIRIO827

ANTI-NOISE NYLON RING

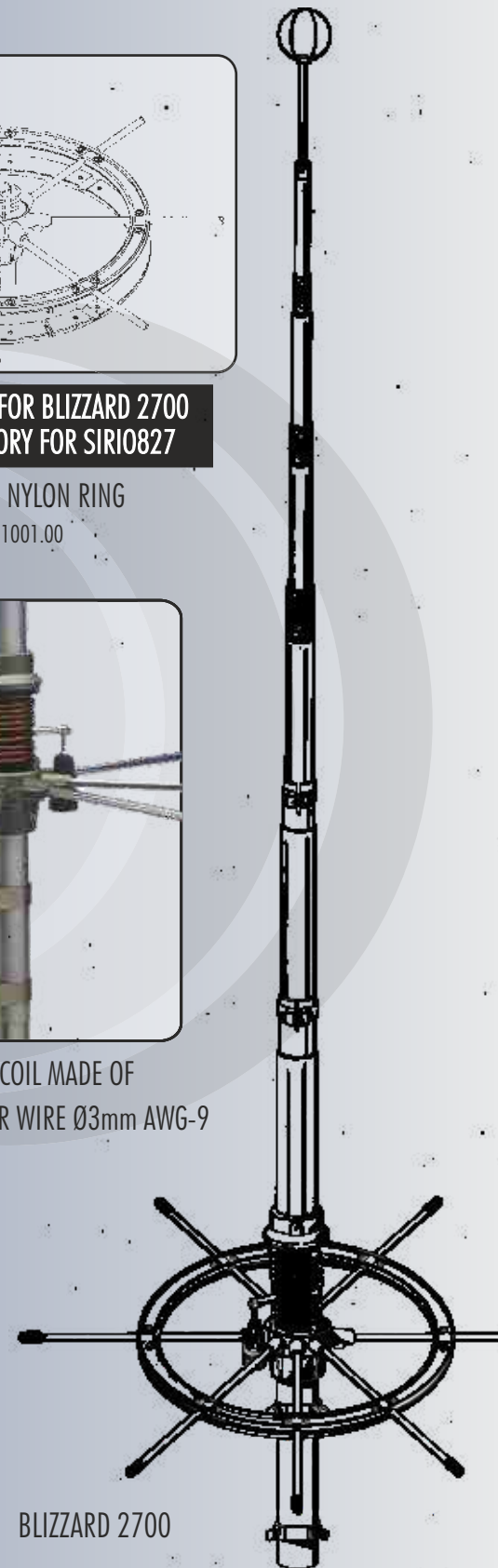
P/N 2511001.00



MATCHING COIL MADE OF
 ENAMELLED COPPER WIRE \varnothing 3mm AWG-9



SIRIO 827



BLIZZARD 2700

WARNING

INSTALLATION OF THIS PRODUCT NEAR POWER LINES IS DANGEROUS. FOR YOUR SAFETY AND BEFORE YOU BEGIN INSTALLATION, READ THE SEPARATE SAFETY INFORMATION SHEET.



MADE IN ITALY since 1972

SIRIO 2008 SIRIO 2016

FEATURES

- # Tunable Base station antennas
- # Omnidirectional
- # High power handling capability
- # Low radiation angle for excellent DX
- # Coil protected by transparent cover
- # Equipped with excellent multi elements ground plane
- # DC-Ground protection
- # Made of aluminium alloy 6063 T-832

TECHNICAL DATA

Type: 5/8 λ ground plane
 Impedance: 50 Ω
 Frequency range: 26.4 ... 28.2 MHz tunable
 Radiation: omnidirectional
 Polarization: linear vertical
 SWR @ res. freq.: ≤ 1.1
 Max. power: 1000 Watts (CW) continuous
 3000 Watts (CW) short time
 Bandwidth @ SWR ≤ 2 :
 SIRIO 2008: ≥ 1750 kHz
 SIRIO 2016: ≥ 2100 kHz
 Gain: 1.3 dBd, 3.45 dBi
 Wind resistance: 130 km/h, 81 mi/h
 Height (approx.): 6100 mm, 20 ft
 Weight (approx.): 5300 gr, 13.4 lb
 Radial length (approx.):
 SIRIO 2008: 1320 mm, 52 in
 SIRIO 2016: 700 mm, 27.5 in
 Connector: UHF-female
 Mounting mast: \varnothing 40-50 mm, \varnothing 1.5-1.9 in

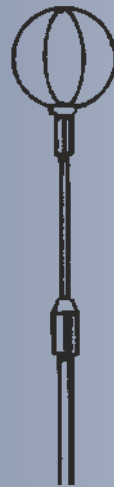
P/N 2100201.00 SIRIO 2008, 8 radials
 P/N 2103101.00 SIRIO 2016, 16 radials

SPARE PARTS

P/N 2530301.00 1x Radial SIRIO 2008
 P/N 2530401.00 1x Radial SIRIO 2016

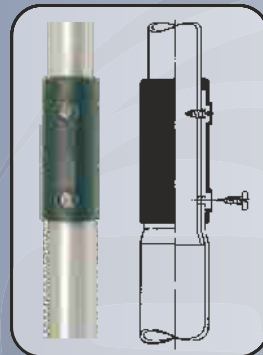
WARNING

INSTALLATION OF THIS PRODUCT NEAR POWER LINES IS DANGEROUS. FOR YOUR SAFETY AND BEFORE YOU BEGIN INSTALLATION, READ THE SEPARATE SAFETY INFORMATION SHEET.



Low
Frequency
Hi

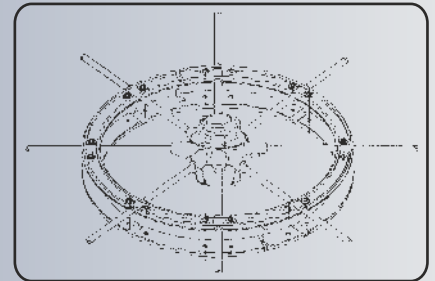
TUNING TOP
ELEMENT
WITH
ANTI-STATIC
CAGE



JOINTING SLEEVE

TELESCOPIC ALUMINIUM
TUBES FIRST SECTION
STARTS FROM
 $\varnothing 30$ mm 1"-3/16
THICKNESS 1.25mm 0.05"

Optional for SIRIO 2008



ANTI-NOISE NYLON RING
Optional
P/N 2511001.00



HI-Q LOW LOSS MATCHING COIL
SUSPENDED ON 4 PLASTIC FINGER
MADE OF COPPER WIRE $\varnothing 4.5$ mm AWG-5



DRAWING SHOW SIRIO 2016
model with 16 ground radials

MADE IN ITALY since 1972

NEW VECTOR 4000

FEATURES

- # Tunable Base station antenna
- # Omnidirectional
- # High power handling capability
- # Fedded with Gamma Match system
- # Made of aluminium alloy 6063 T-832
- # Low radiation angle for excellent DX

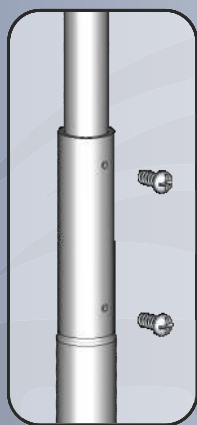
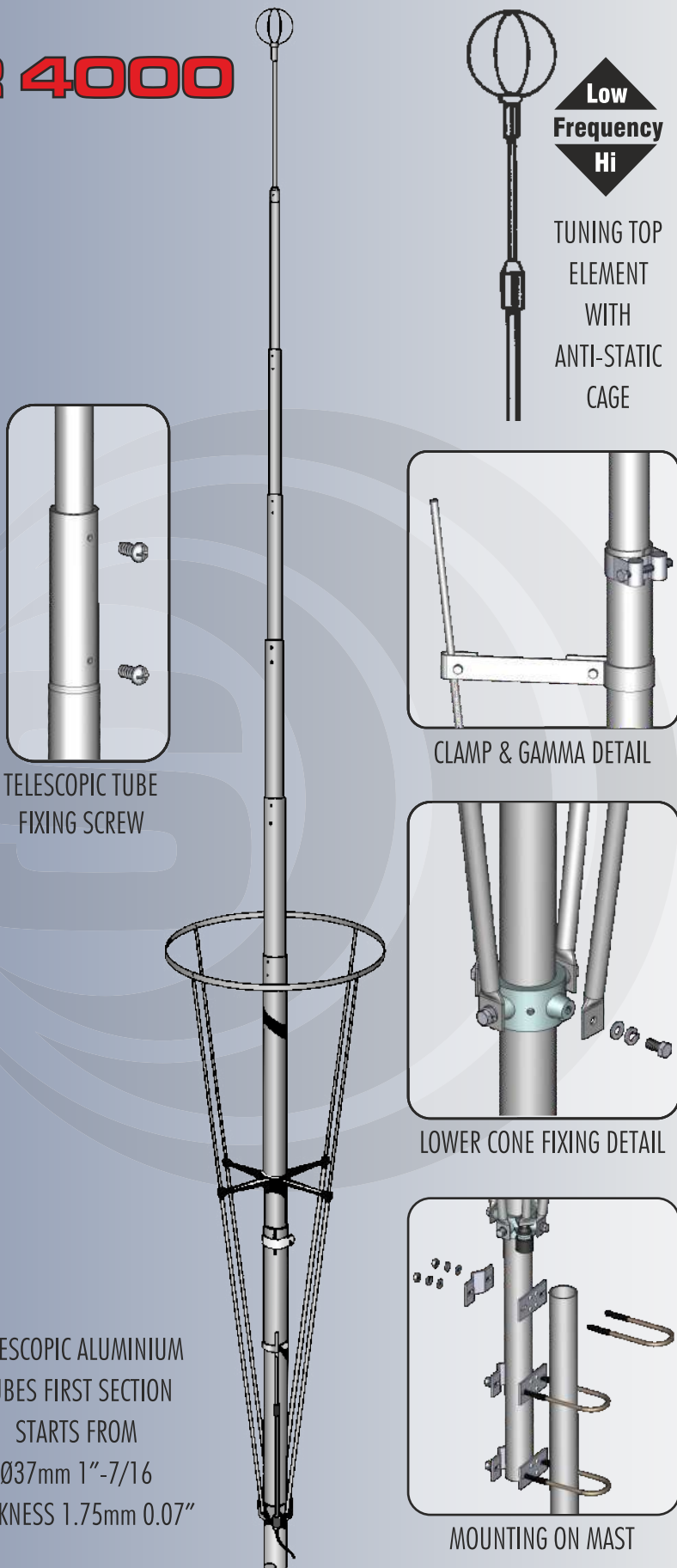
TECHNICAL DATA

Type: $3/4 \lambda$ coaxial J-pole
 Impedance: 50Ω
 Frequency range: 27 ... 28.5 MHz tunable
 Radiation: omnidirectional
 Polarization: linear vertical
 SWR @ res. freq.: ≤ 1.2
 Max. power: 1000 Watts (CW) continuous
 3000 Watts (CW) short time
 Bandwidth @ SWR ≤ 2 : ≥ 1400 kHz
 Gain: 2 dBd, 4.15 dBi
 Wind resistance: 130 km/h, 81 mi/h
 Height (approx.): 8480 mm, 27.8 ft
 Weight (approx.): 4700 gr, 10.4 lb
 Connector: UHF-female
 Mounting mast: $\varnothing 35-42$ mm, $\varnothing 1.4-1.6$ in

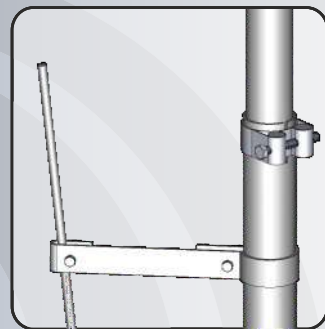
P/N 2100701.00 NEW VECTOR 4000

WARNING

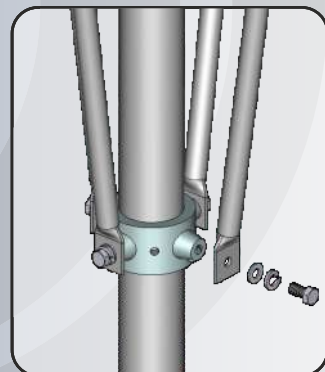
INSTALLATION OF THIS PRODUCT NEAR POWER LINES IS DANGEROUS. FOR YOUR SAFETY AND BEFORE YOU BEGIN INSTALLATION, READ THE SEPARATE SAFETY INFORMATION SHEET.



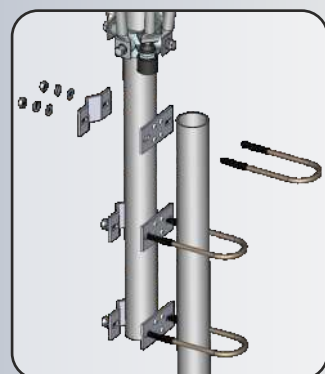
TELESCOPIC TUBE
FIXING SCREW



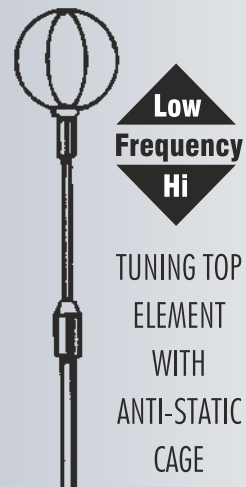
CLAMP & GAMMA DETAIL



LOWER CONE FIXING DETAIL



MOUNTING ON MAST



Low
Frequency
Hi

TUNING TOP
ELEMENT
WITH
ANTI-STATIC
CAGE

TELESCOPIC ALUMINIUM
TUBES FIRST SECTION
STARTS FROM
 $\varnothing 37$ mm 1"-7/16
THICKNESS 1.75mm 0.07"



MADE IN ITALY since 1972

NEW TORNADO

FEATURES

- # Tunable Base station antenna
- # Omnidirectional
- # High power handling capability
- # Big coil made of aluminium wire $\varnothing 6\text{mm AWG-3}$
- # Low radiation angle for excellent DX
- # Made of aluminium alloy 6063 T-832

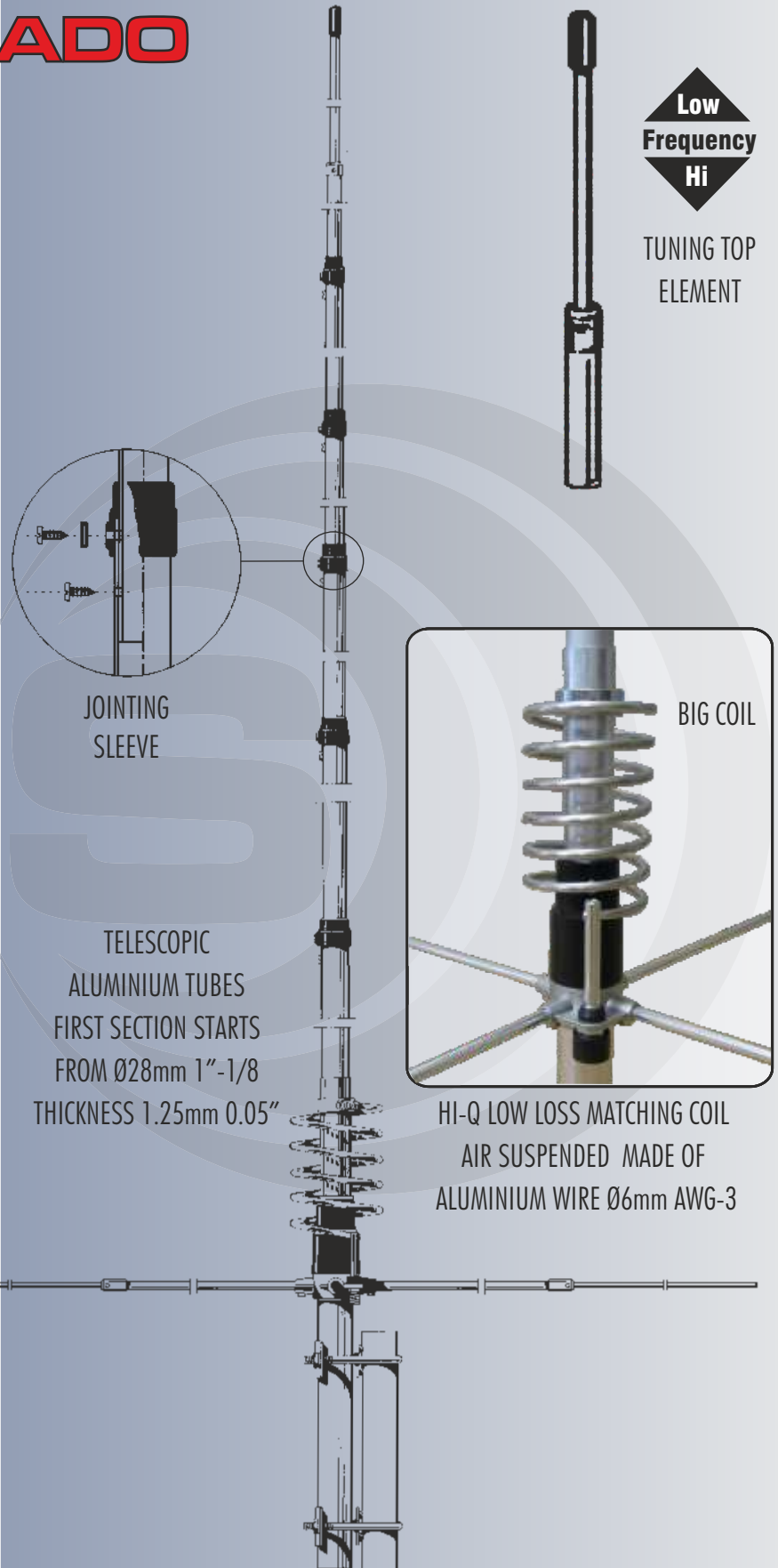
TECHNICAL DATA

Type: $5/8 \lambda$ ground plane
 Impedance: 50Ω
 Frequency range: 27 ... 30 MHz tunable
 Radiation: omnidirectional
 Polarization: linear vertical
 SWR @ res. freq.: ≤ 1.2 @ 27 MHz
 Max. power: 1000 Watts (CW) continuous
 3000 Watts (CW) short time
 Bandwidth @ SWR ≤ 2 : ≥ 1300 kHz
 Gain: 1.2 dBd, 3.35 dBi
 Wind resistance: 130 km/h, 81 mi/h
 Height (approx.): 7230 mm, 23.7 ft
 Weight (approx.): 2900 gr, 6.4 lb
 Radial length (approx.): 2000 mm, 78.7 in
 Connector: UHF-female
 Mounting mast: $\varnothing 35\text{-}42$ mm, $\varnothing 1.4\text{-}1.6$ in

P/N 2100501.00 NEW TORNADO

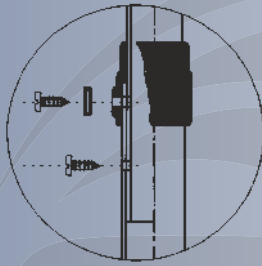
SPARE PARTS

P/N 2530501.00 1x Radial NEW TORNADO

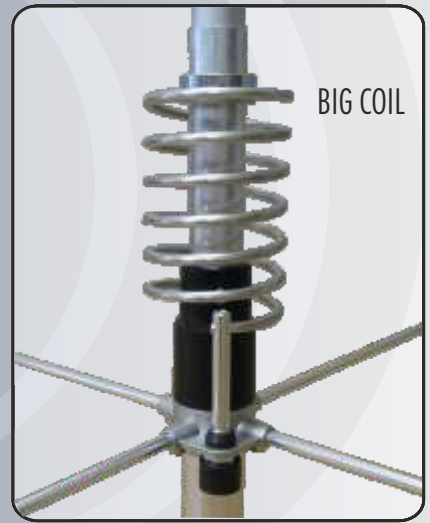


Low
Frequency
Hi

TUNING TOP ELEMENT



JOINTING SLEEVE



BIG COIL

TELESCOPIC ALUMINIUM TUBES
 FIRST SECTION STARTS FROM $\varnothing 28\text{mm } 1\text{'-}1/8$
 THICKNESS $1.25\text{mm } 0.05\text{'}$

HI-Q LOW LOSS MATCHING COIL
 AIR SUSPENDED MADE OF ALUMINIUM WIRE $\varnothing 6\text{mm AWG-3}$

WARNING

INSTALLATION OF THIS PRODUCT NEAR POWER LINES IS DANGEROUS. FOR YOUR SAFETY AND BEFORE YOU BEGIN INSTALLATION, READ THE SEPARATE SAFETY INFORMATION SHEET.



MADE IN ITALY since 1972

GPE 5/8 GPS 1/2

FEATURES

- # Tunable Base station antennas
- # Omnidirectional
- # Low radiation angle for excellent DX
- # DC-Ground protection
- # Coil protected by transparent cover
- # Made of aluminium alloy 6063 T-832

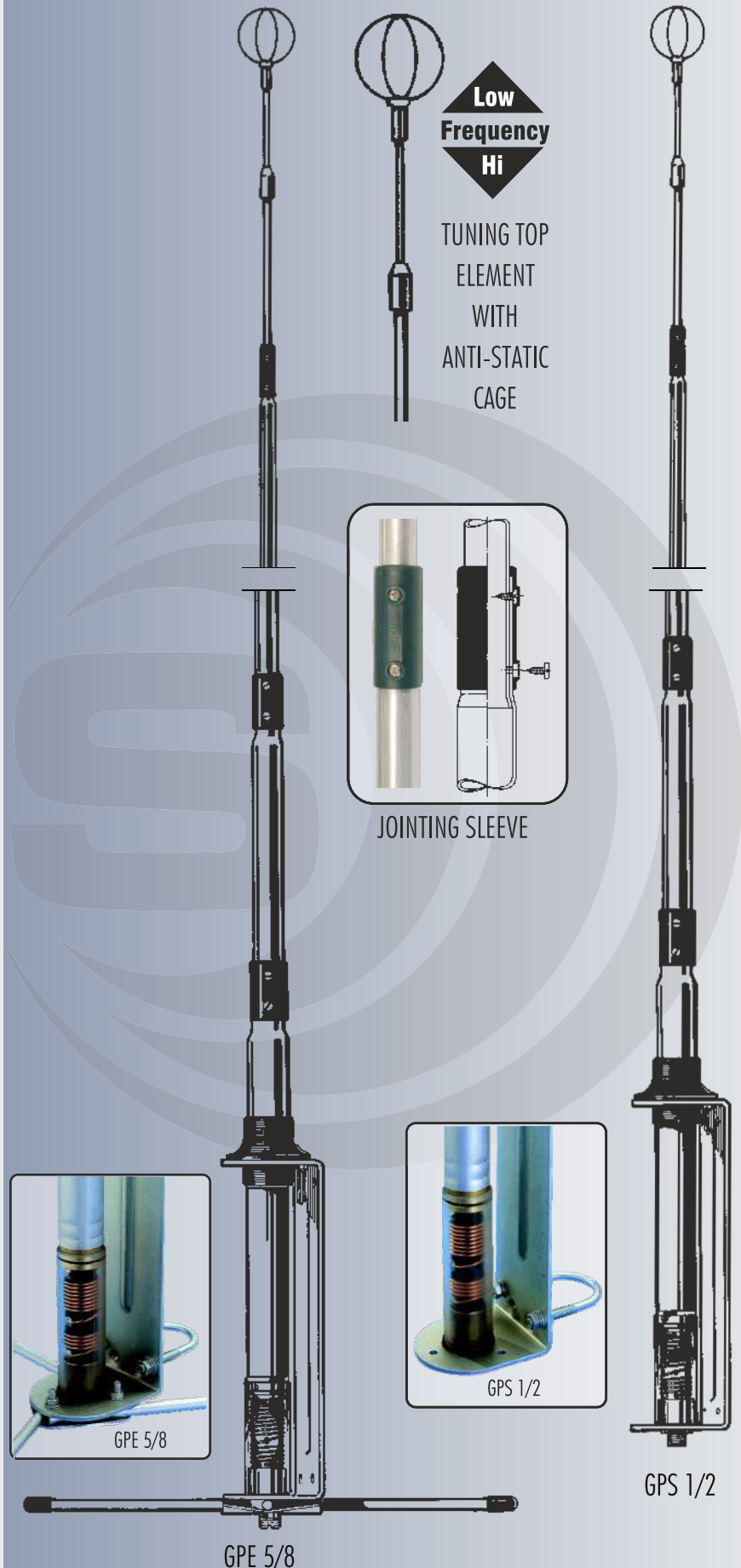
TECHNICAL DATA

Type:
 GPE 5/8 5/8 λ , ground plane
 GPS 1/2 1/2 λ
 Impedance: 50 Ω
 Frequency range: 26.4 ... 29.0 MHz tunable
 Radiation: omnidirectional
 Polarization: linear vertical
 SWR @ res. freq.: ≤ 1.3
 Max. power: 250 Watts (CW) continuous
 750 Watts (CW) short time
 Bandwidth @ SWR ≤ 2 : ≥ 1600 kHz
 Gain:
 GPE 5/8 1.2 dBd, 3.35 dBi
 GPS 1/2 0 dBd, 2.15 dBi
 Wind resistance: 130 km/h, 81 mi/h
 Height (approx.): 5950 mm, 19.5 ft
 Weight (approx.):
 GPE 5/8 2500 gr, 5.5 lb
 GPS 1/2 2100 gr, 4.6 lb
 Radial length GPE 5/8: 1320 mm, 52 in
 Connector: UHF-female
 Mounting mast: \varnothing 35-42 mm, \varnothing 1.4-1.6 in

P/N 2100301.00 GPE 5/8
 P/N 2100401.00 GPS 1/2

WARNING

INSTALLATION OF THIS PRODUCT NEAR POWER LINES IS DANGEROUS. FOR YOUR SAFETY AND BEFORE YOU BEGIN INSTALLATION, READ THE SEPARATE SAFETY INFORMATION SHEET.





MADE IN ITALY since 1972

BOOMERANG A / W THUNDER

COMMON FEATURES

- # Balcony or temporary installation
- # Omnidirectional
- # Factory tuned at mid-band

- # **BOOMERANG A:** main whip made of aluminium alloy 6063 T-832 and tapered fiberglass radial
- # **BOOMERANG W:** tapered fiberglass whip and radial with
- # **THUNDER:** designed to work without Ground Plane
- # **UP-GRADED Boomerang:** power rate increased up to 300W, shorter radial

TECHNICAL DATA

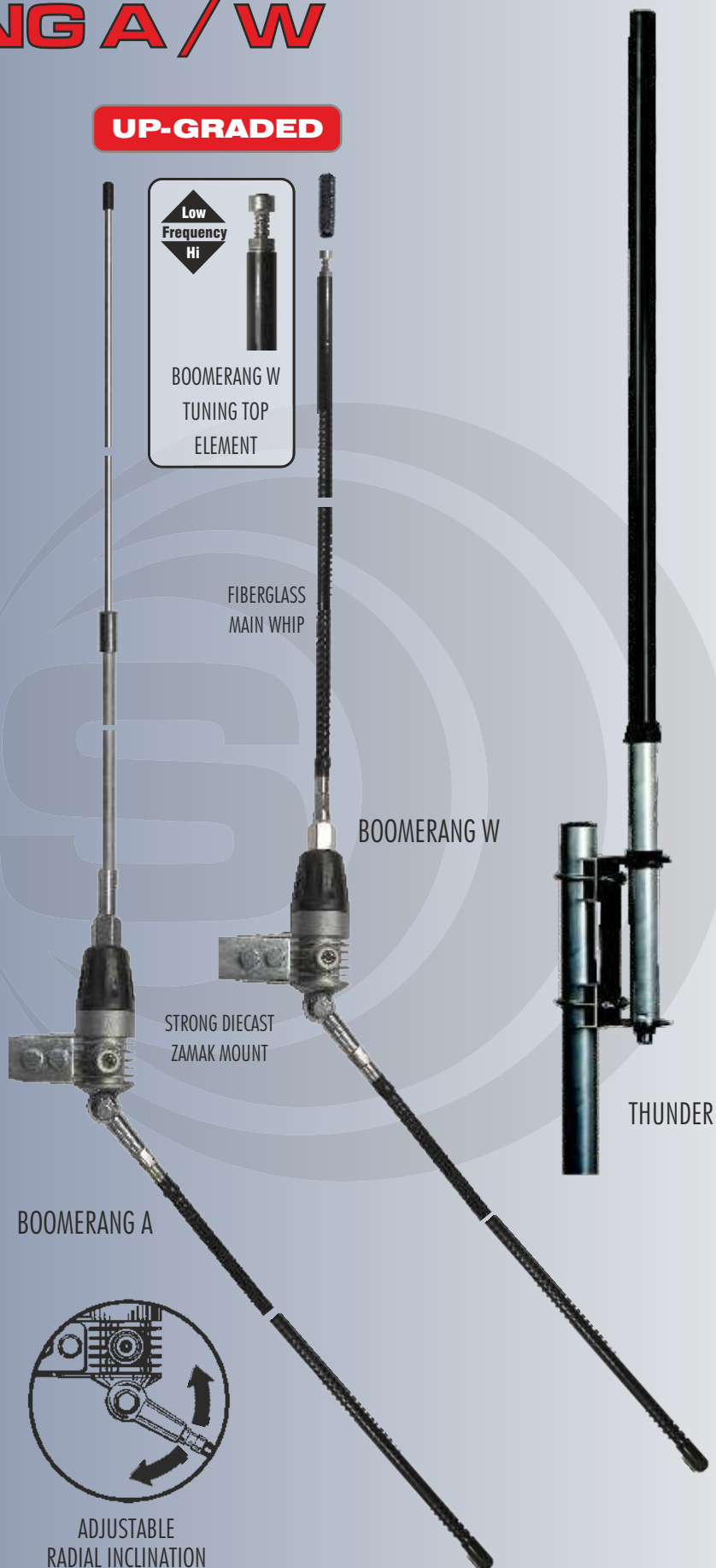
Type: BOOMERANG A/W 1/4 λ boomerang
 THUNDER 1/4 λ helical loaded dipole
 Impedance: 50 Ω
 Frequency range: 26.8 ... 27.6 MHz
 Radiation: omnidirectional
 Polarization: linear vertical
 SWR @ res. freq.: ≤ 1.2
 Max. power:
 BOOMERANG 300Watts (CW) continuous, 900Watts (CW) short time
 THUNDER 100Watts (CW) continuous, 300Watts (CW) short time
 Bandwidth @ SWR ≤ 2 :
 BOOMERANG A/W ≥ 800 kHz
 THUNDER ≥ 5000 kHz
 Gain: 0 dBd, 2.15 dBi
 Wind resistance: 140 km/h, 87 mi/h
 Height (approx.):
 BOOMERANG A/W 3650 mm, 12 ft / 2230 mm, 7.3 ft
 THUNDER 960 mm, 3.1 ft
 Weight (approx.):
 BOOMERANG A/W 780 gr, 1.7 lb / 750 gr, 1.65 lb
 THUNDER 700 gr, 1.5 lb
 Radial length (approx. BOOMERANG only): 1330 mm, 4.35 ft
 Mounting mast:
 BOOMERANG A/W square or \varnothing max 42 mm, 1-5/8 in
 THUNDER \varnothing 25-32 mm, \varnothing 1-1.25 in
 Connector: UHF-female

P/N 2101101.00 BOOMERANG A
 P/N 2101115.00 BOOMERANG W
 P/N 2107902.00 THUNDER

WARNING

INSTALLATION OF THIS PRODUCT NEAR POWER LINES IS DANGEROUS. FOR YOUR SAFETY AND BEFORE YOU BEGIN INSTALLATION, READ THE SEPARATE SAFETY INFORMATION SHEET.

UP-GRADED





MADE IN ITALY since 1972

GPA 27-45 SIGNAL KEEPER

GPA 27-45

- # Tunable base station antenna
- # Unity-gain, Omnidirectional
- # High power handling
- # Low radiation angle for excellent DX
- # Made of aluminium alloy 6063 T-832

TECHNICAL DATA

Type: 1/4 λ ground plane
 Impedance: 50 Ω
 Frequency range: 27 ... 45 MHz tunable by diagram
 Radiation: omnidirectional
 Polarization: linear vertical
 SWR @ res. freq.: ≤ 1.2
 Max. power: ... 1000 Watts (CW) cont., 3000 Watts (CW) short time
 Bandwidth @ SWR ≤ 2 : ≥ 2500 kHz @ 27 MHz
 Gain: 0 dBd, 2.15 dBi
 Wind resistance: 130 km/h, 81 mi/h
 Height (approx.): 4730 mm, 15.5 ft
 Weight (approx.): 1250 gr, 2.75 lb
 Radial length (approx.): 2680 mm, 105.5 in
 Connector: UHF-female
 Mounting mast: \varnothing 35-40 mm, 1"3/8 - 1"9/16

P/N 2100801.00 GPA27-45

SIGNAL KEEPER

- # Omnidirectional, Compact dimensions
- # Factory tuned at mid-band
- # Made of aluminium alloy 6063 T-832

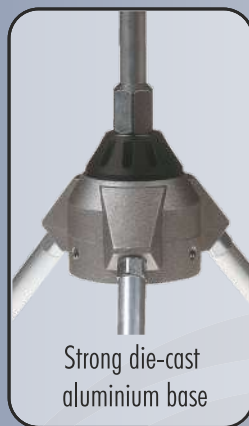
TECHNICAL DATA

Type: 1/4 λ base & radial loaded ground plane
 Impedance: 50 Ω
 Frequency range: 26 ... 28 MHz
 Radiation: omnidirectional
 Polarization: linear vertical
 SWR @ res. freq.: ≤ 1.2
 Max. power: 100 Watts (CW) cont., 300 Watts (CW) short time
 Bandwidth @ SWR ≤ 2 : ≥ 850 KHz
 Gain: 0 dBd, 2.15 dBi
 Wind resistance: 130 km/h, 81 mi/h
 Height (approx.): 2370 mm, 7.8 ft
 Weight (approx.): 640 gr, 1.4 lb
 Radial length (approx.): 640 mm, 25 in
 Connector: UHF-female
 Mounting mast: \varnothing 35-40 mm, \varnothing 1.4-1.5 in

P/N 2101301.00 SIGNAL KEEPER

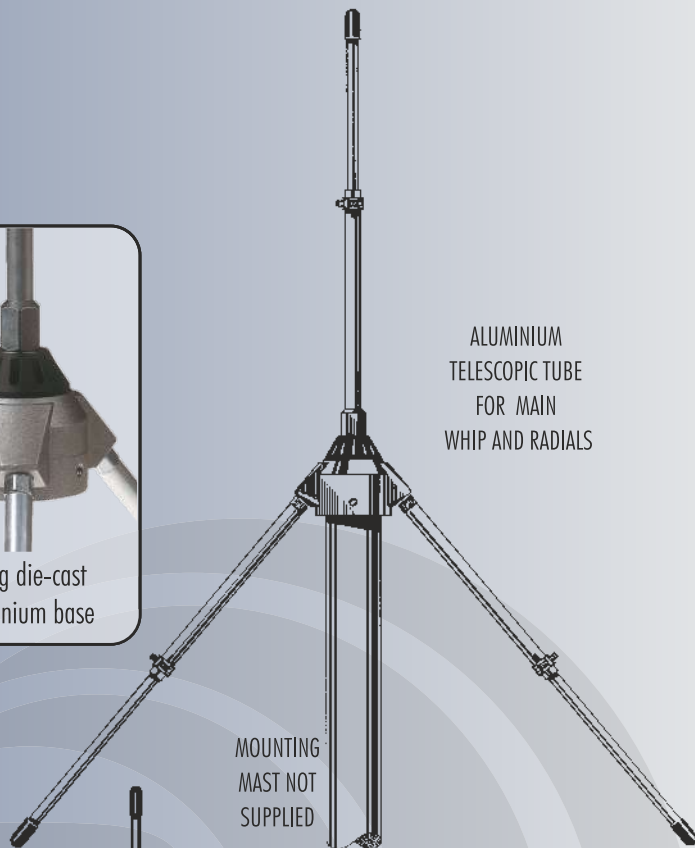
WARNING

INSTALLATION OF THIS PRODUCT NEAR POWER LINES IS DANGEROUS. FOR YOUR SAFETY AND BEFORE YOU BEGIN INSTALLATION, READ THE SEPARATE SAFETY INFORMATION SHEET.



Strong die-cast aluminium base

ALUMINIUM TELESCOPIC TUBE FOR MAIN WHIP AND RADIALS



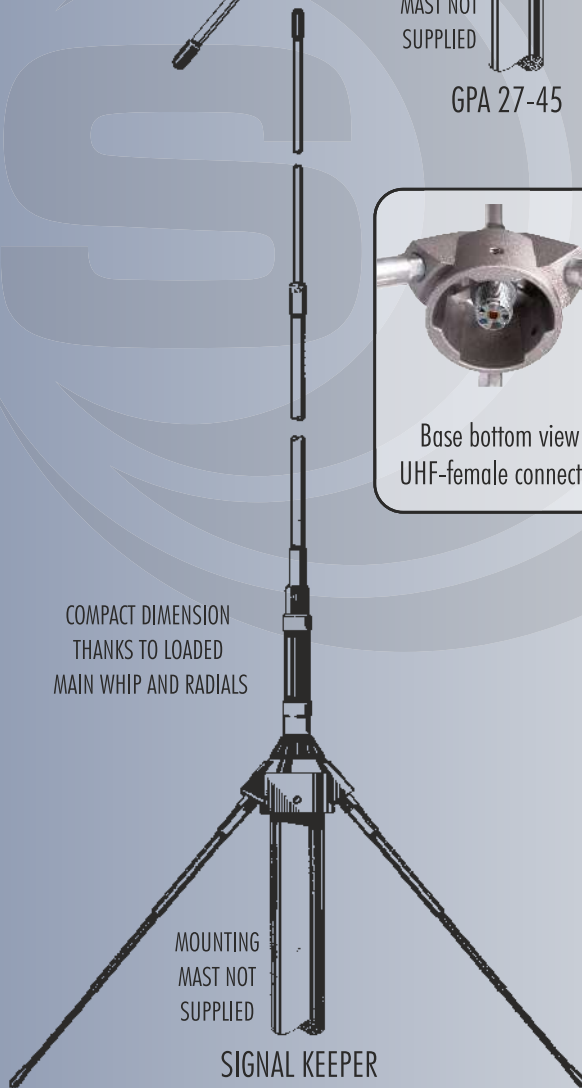
MOUNTING MAST NOT SUPPLIED

GPA 27-45



Base bottom view UHF-female connector

COMPACT DIMENSION THANKS TO LOADED MAIN WHIP AND RADIALS



MOUNTING MAST NOT SUPPLIED

SIGNAL KEEPER



SIDE MAST INSTALLATION ALLOWED BY OPTIONAL BRACKET FT-2 P/N 2510004.00



MADE IN ITALY since 1972

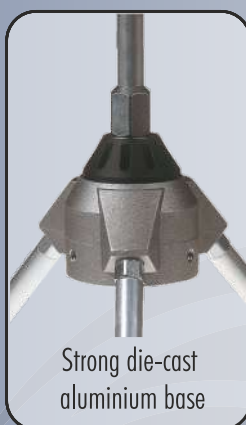
STARDUSTER M-400

- # Tunable base station antenna
- # Unity-gain, Omnidirectional
- # High power handling
- # Low radiation angle for excellent DX
- # Made of aluminium alloy 6063 T-832

TECHNICAL DATA

Type: 1/4 λ ground plane
 Impedance: 50 Ω
 Frequency range: 26.5 ... 30 MHz tunable by diagram
 Radiation: omnidirectional
 Polarization: linear vertical
 SWR @ res. freq.: ≤ 1.5
 Max. power: ... 1000 Watts (CW) cont., 3000 Watts (CW) short time
 Bandwidth @ SWR ≤ 2 : ≥ 2500 kHz @ 27 MHz
 Gain: 0 dBd, 2.15 dBi
 Wind resistance: 130 km/h, 81 mi/h
 Height (approx.): 5040 mm, 16.5 ft
 Weight (approx.): 1230 gr, 2.7 lb
 Radial length (approx.): 2690 mm, 105.5 in
 Connector: UHF-female
 Mounting mast: \varnothing 35-40 mm, 1"3/8 - 1"9/16

P/N 2103201.00 STARDUSTERM-400

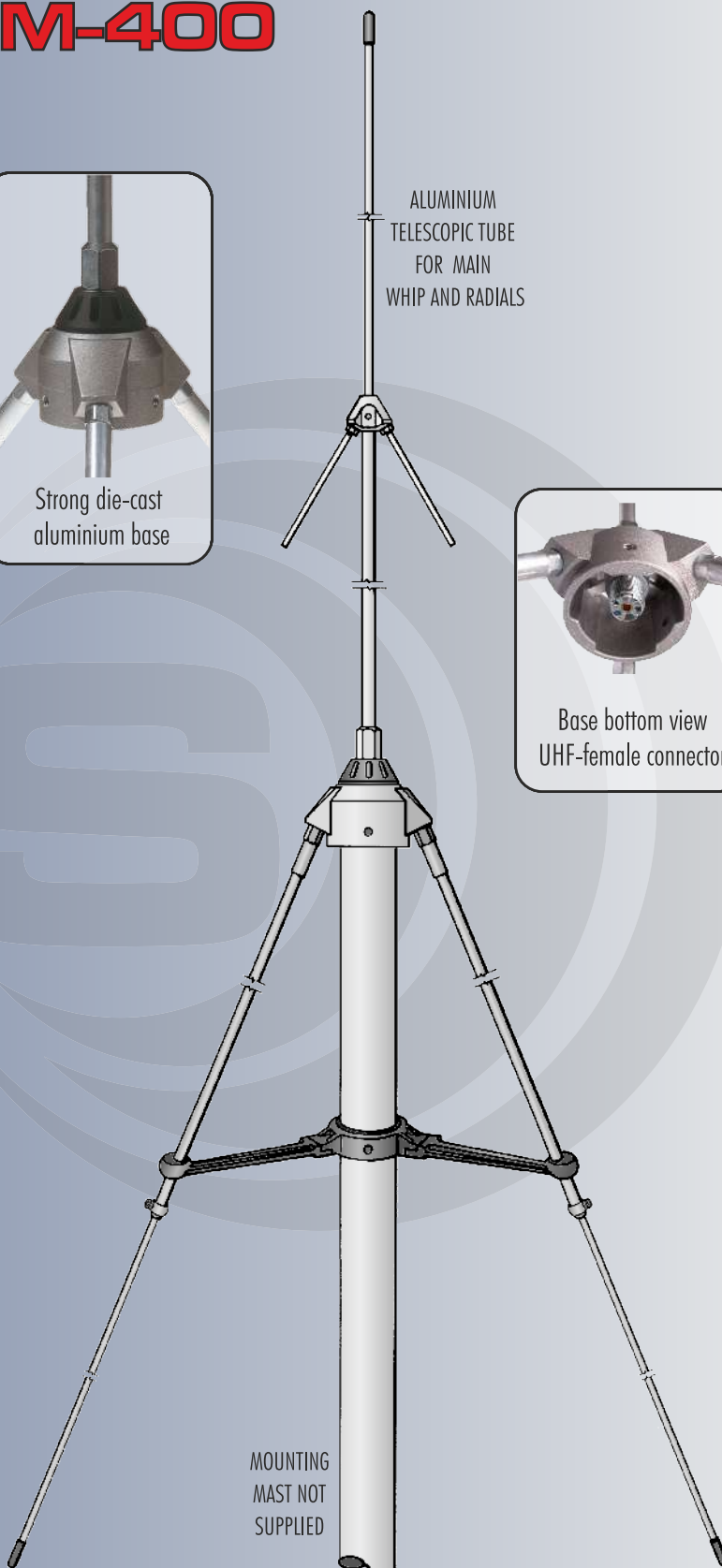


Strong die-cast aluminium base

ALUMINIUM TELESCOPIC TUBE FOR MAIN WHIP AND RADIALS



Base bottom view UHF-female connector



MOUNTING MAST NOT SUPPLIED

WARNING

INSTALLATION OF THIS PRODUCT NEAR POWER LINES IS DANGEROUS. FOR YOUR SAFETY AND BEFORE YOU BEGIN INSTALLATION, READ THE SEPARATE SAFETY INFORMATION SHEET.



MADE IN ITALY since 1972

SY-3 SY-4

FEATURES

- # YAGI Base station antennas
- # Directional, High-gain
- # Horizontal polarization
- # High power handling capability
- # Fedded with Gamma Match system
- # Made of aluminium alloy 6063 T-832
- # Tunable from 26.5 to 30 MHz

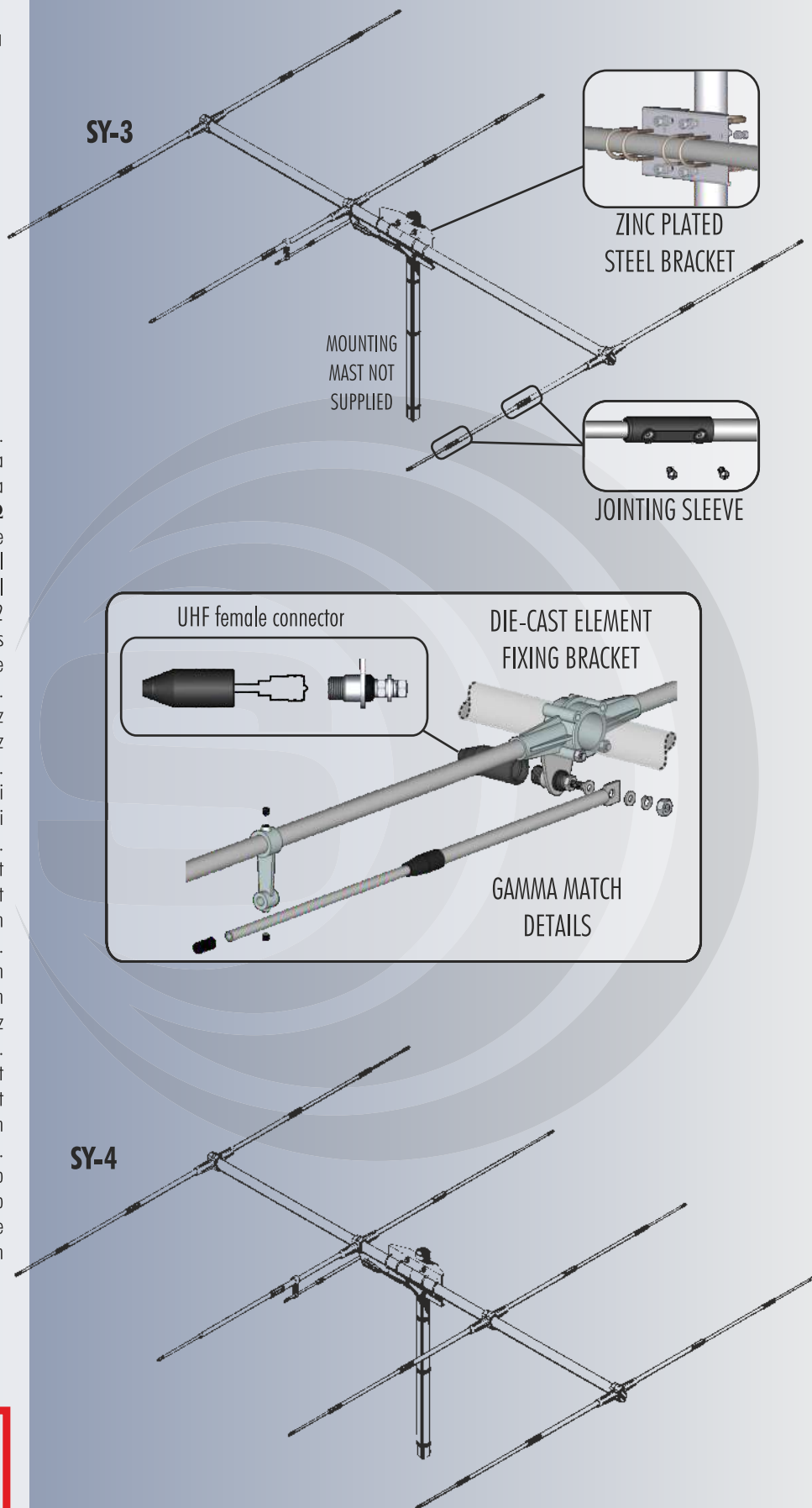
TECHNICAL DATA

Type:
SY-3	3 elements Yagi Antenna
SY-4	4 elements Yagi Antenna
Impedance:	50 Ω
Frequency range:	26.5 ... 30.0 MHz tunable
Radiation:	directional
Polarization:	linear horizontal
SWR @ res. freq.:	≤ 1.2
Max. power:	1000 Watts (CW) continuous
.....	3000 Watts (CW) short time
Bandwidth @ SWR ≤ 2:
SY-3	≥ 1200 kHz @ 26.5 MHz
SY-4	≥ 850 kHz @ 26.5 MHz
Gain:
SY-3	8.5 dBd, 10.65 dBi
SY-4	11 dBd, 13.15 dBi
Dimensions (approx.):
SY-3	5942 x 2710 x 100 mm, 19.5 x 8.9 x 0.3 ft
SY-4	5846 x 4030 x 100 mm, 19.2 x 13.2 x 0.3 ft
Wind resistance:	120 km/h, 75 mi/h
Boom length/diameter (approx.):
SY-3	2710 mm, 8.9 ft / Ø 33 mm, 1.3 in
SY-4	4030 mm, 13.2 ft / Ø 33 mm, 1.3 in
Max. element length (approx.)	5942 mm, 19.5 ft @ 26.5 MHz
Turning radius (approx.):
SY-3	3300 mm, 10.8 ft
SY-4	3700 mm, 12.1 ft
Element diameter:	Ø 16-12-8 mm, Ø 0.6-0.47-0.3 in
Weight (approx.):
SY-3	4700 gr, 10.4 lb
SY-4	6100 gr, 13.5 lb
Connector:	UHF-female
Mounting mast:	Ø 35-50 mm, Ø 1.3-1.9 in

P/N 2105101.00 SY-3
 P/N 2105201.00 SY-4

WARNING

INSTALLATION OF THIS PRODUCT NEAR POWER LINES IS DANGEROUS. FOR YOUR SAFETY AND BEFORE YOU BEGIN INSTALLATION, READ THE SEPARATE SAFETY INFORMATION SHEET.





MADE IN ITALY since 1972

SD-Dipole

FEATURES

- # Base station antenna, Unity-gain
- # Vertical or horizontal polarization
- # High power handling capability
- # Fedded with Gamma Match system
- # Made of aluminium alloy 6063 T-832
- # Tunable from 26.5 to 30 MHz

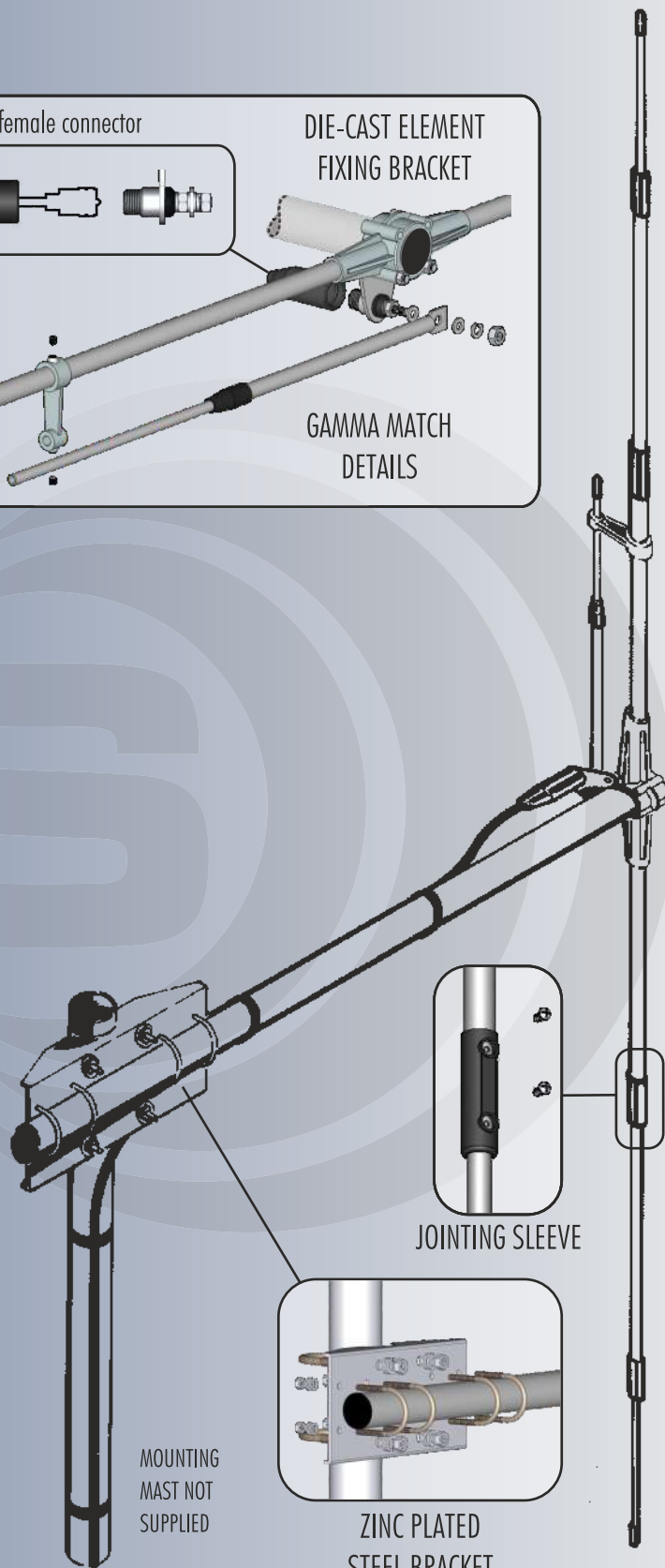
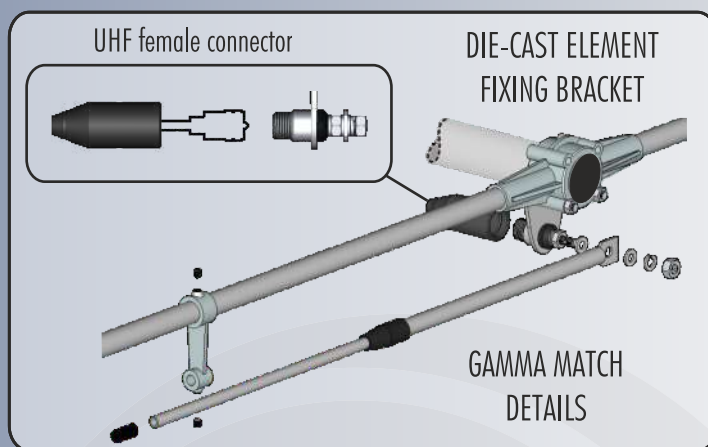
TECHNICAL DATA

Type: $\lambda/2$ Dipole
 Impedance: 50 Ω
 Frequency range: 26.5 ... 30.0 MHz tunable
 Radiation:
 Horizontal mounting directional
 Vertical mounting omnidirectional
 Polarization: linear vertical or horizontal
 SWR @ res. freq.: ≤ 1.1
 Max. power: 1000 Watts (CW) continuous
 3000 Watts (CW) short time
 Bandwidth @ SWR ≤ 2 : ≥ 3500 kHz @ 26.5 MHz
 Gain: 0 dBd, 2.15 dBi
 Wind resistance: 130 km/h, 81 mi/h
 Turning radius (approx.): 3200 mm, 10.5 ft
 Element diameter: $\varnothing 16-12-8$ mm, $\varnothing 0.6-0.47-0.3$ in
 Length (approx.): 5582 mm, 18.3 ft @ 26.5 MHz
 Weight (approx.): 2560 gr, 5.6 lb
 Connector: UHF-female
 Mounting mast: $\varnothing 35-50$ mm, $\varnothing 1.3-1.9$ in

P/N 2105301.00 SD-Dipole

WARNING

INSTALLATION OF THIS PRODUCT NEAR POWER LINES IS DANGEROUS. FOR YOUR SAFETY AND BEFORE YOU BEGIN INSTALLATION, READ THE SEPARATE SAFETY INFORMATION SHEET.





MADE IN ITALY since 1972

TURBO blue line

FEATURES

- # CB & 10m Mobile antennas
- # Tunable from 27 to 28.5 MHz
- # TURBO 800 S: 17/7 PH stainless steel spring whip
- # TURBO 1000, 2000, 3000: 17/7 PH tapered stainless steel whip
- # Metallic blue plastic coil cover and base, brass parts pearl finish chrome
- # 90° adjustable whip no tools required detachable for car-wash
- # DC-Ground protection
- # PL version (suffix PL) with a special base connection suitable for magnetic mount installation (no cable supplied)

REMARK: Each model has a specific BASE and COIL to match together for the best performance. BASES and COILS can't be mixed.

TECHNICAL DATA

Type: base loaded
 Impedance: 50 Ω
 Frequency range: 27 ... 28.5 MHz
 Polarization: linear vertical
 SWR @ res. freq.: ≤ 1.2
 Max. power: 200Watts (CW) continuous, 1000Watts (CW) short time
 Bandwidth @ SWR ≤ 2:

TURBO 800 S ≥ 430 kHz (40 channel)
 TURBO 1000 ≥ 660 kHz (60 channel)
 TURBO 2000 ≥ 1100 kHz (100 channel)
 TURBO 3000 ≥ 1600 kHz (140 channel)

Mounting:

TURBO series hole Ø 12.5 mm, 1/2 in
 TURBO PL series UHF-male (PL 259)

Cable length / Type:

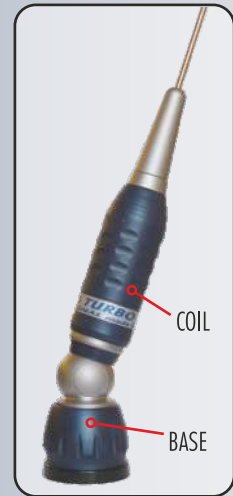
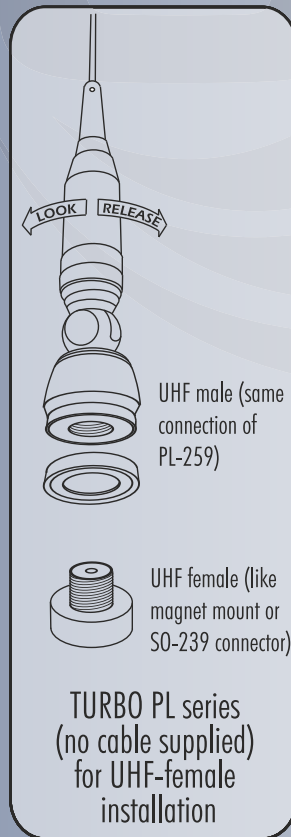
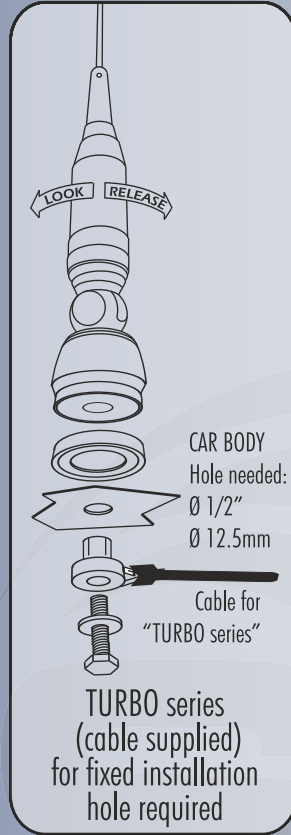
TURBO series 4 m, 13ft / RG 58
 TURBO PL series not supplied

Height (approx.):

TURBO 800 S / 800 S PL 840 mm, 2 3/4 ft
 TURBO 1000 / 1000 PL 1150 mm, 3 3/4 ft
 TURBO 2000 / 2000 PL 1450 mm, 4 3/4 ft
 TURBO 3000 / 3000 PL 1710 mm, 5.6 ft
 Weight (approx.): 580 gr, 1.3 lb

P/N 2201905.40 TURBO 800 S
 P/N 2202005.40 TURBO 1000
 P/N 2202105.40 TURBO 2000
 P/N 2202405.40 TURBO 3000

P/N 2201905.41 TURBO 800 S PL
 P/N 2202005.41 TURBO 1000 PL
 P/N 2202105.41 TURBO 2000 PL
 P/N 2202405.41 TURBO 3000 PL



90° ADJUSTABLE
no tools required

17/7 PH
TAPERED
STAINLESS
STEEL

17/7 PH
STAINLESS
STEEL SPRING
WITH NYLON
REINFORCE





MADE IN ITALY since 1972

PERFORMER series

FEATURES

- # CB & 10m Mobile antenna
- # Tunable from 27 to 28.5 MHz
- # 17/7 PH tapered stainless steel whip
- # 180° adjustable whip no tools required detachable for car-wash
- # DC-Ground protection
- # PL version (suffix PL) with a special base connection suitable for magnetic mount installation (no cable supplied)

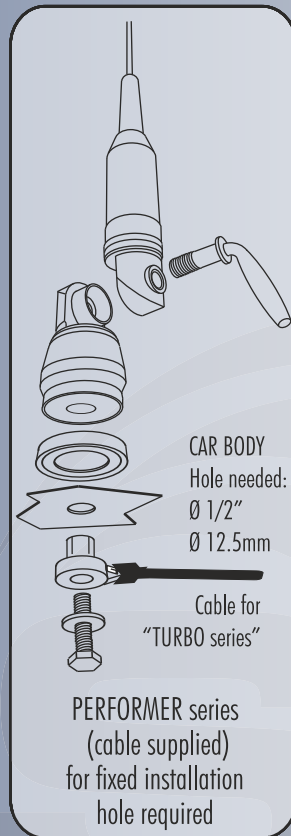
REMARK: Each model has a specific BASE and COIL to match together for the best performance. BASES and COILS can't be mixed.

TECHNICAL DATA

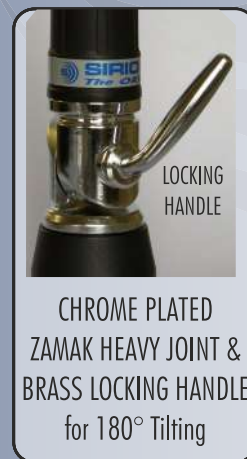
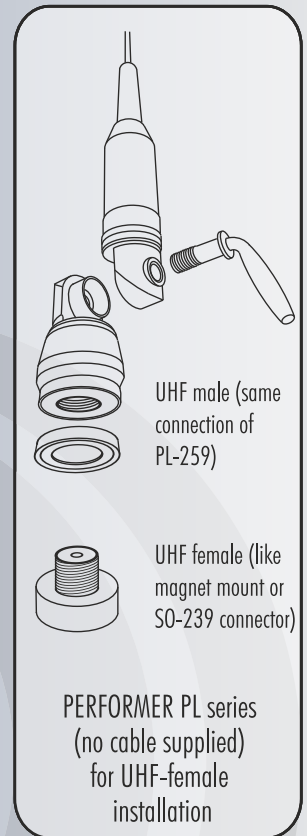
Type: base loaded
 Impedance: 50 Ω
 Frequency range: 27 ... 28.5 MHz
 Polarization: linear vertical
 SWR @ res. freq.: ≤ 1.2
 Max. power: 200 Watts (CW) continuous
 1000 Watts (CW) short time
 Bandwidth @ SWR ≤ 2:
 PERFORMER P-600 ≥ 680 kHz (60 channel)
 PERFORMER P-800 ≥ 1400 kHz (120 channel)
 PERFORMER P-1000 ≥ 2000 kHz (180 channel)
 Mounting:
 PERFORMER series hole Ø 12.5 mm, 0.5 in
 PERFORMER PL series UHF-male (PL 259)
 Cable length / Type:
 PERFORMER series 4 m, 13ft / RG 58
 PERFORMER PL series not supplied
 Height (approx.):
 PERFORMER P-600 1250 mm, 4.1 ft
 PERFORMER P-800 1650 mm, 5.4 ft
 PERFORMER P-1000 1950 mm, 6.4 ft
 Weight (approx.): 600 gr, 1.3 lb

P/N 2218005.50 PERFORMER P-600
 P/N 2218105.50 PERFORMER P-800
 P/N 2218205.50 PERFORMER P-1000

P/N 2218005.51 PERFORMER P-600 PL
 P/N 2218105.51 PERFORMER P-800 PL
 P/N 2218205.51 PERFORMER P-1000 PL



17/7 PH
TAPERED
STAINLESS
STEEL



PERFORMER P-600
 PERFORMER P-800
 PERFORMER P-1000



MADE IN ITALY since 1972

PERFORMER 5000 LED PERFORMER 5000 TURBO 5000

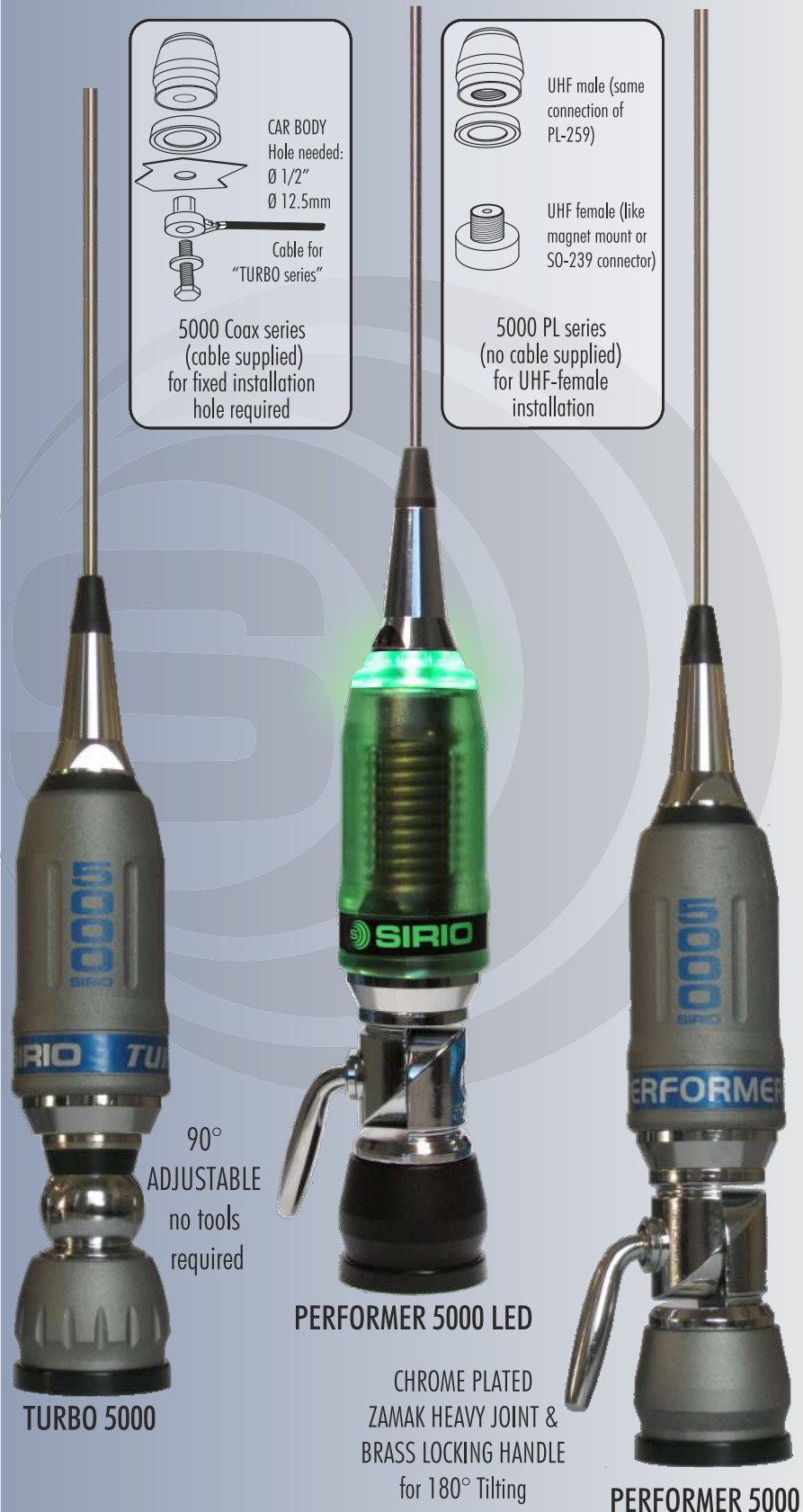
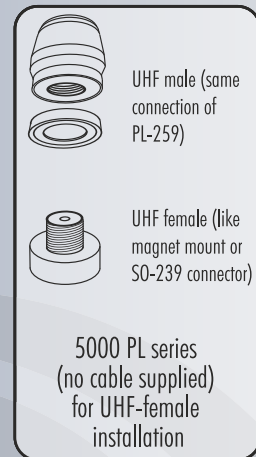
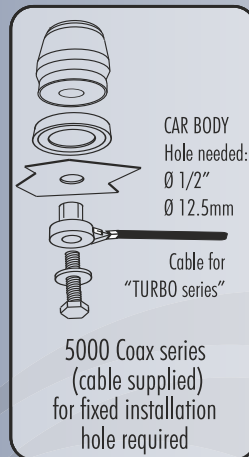
FEATURES

- # CB & 10 m Mobile antennas
- # Very High power handling
- # Tunable from 27 to 30 MHz
- # P5000 LED: Unique LED PCB that ligh up when transmit
- # DC-Ground protection
- # 17/7 PH tapered stainless steel whip
- # Whip detachable for car-wash
- # PL version (suffix PL) with a special base connection suitable for magnetic mount installation (no cable supplied)

TECHNICAL DATA

Type: base loaded
 Impedance: 50 Ω
 Frequency range: 27 ... 30 MHz
 Polarization: linear vertical
 SWR @ res. freq.: ≤ 1.2
 Max. power: 1500 Watts (CW) continuous
 5000 Watts (CW) short time
 Bandwidth @ SWR ≤ 2: ≥ 2300 kHz (200 channel)
 Mounting:
 TURBO-PERFORMER 5000 Coax hole Ø 12.5 mm, Ø 1/2 in
 TURBO-PERFORMER 5000 PL UHF-male (PL 259)
 Cable length / Type:
 PL version not supplied
 Coax version: .. 4m, 13ft/standard RG58 (max power up to 600 Watts)
 Height (approx.): 1965 mm, 6.4 ft
 Weight (approx.): 650 gr, 1.4 lb

- P/N 2218505.50/LED PERFORMER-5000 LED (stand. cable)
- P/N 2218505.51/LED PERFORMER-5000 PL LED
- P/N 2218505.50 PERFORMER-5000 (standard cable)
- P/N 2218505.51 PERFORMER-5000 PL
- P/N 2202205.40 TURBO-5000 (standard cable)
- P/N 2202205.43 TURBO-5000 PL





MADE IN ITALY since 1972

PERFORMER P2000

FEATURES

- # CB & 10 m Mobile antennas
- # Very High power handling
- # Tunable from 27 to 30 MHz
- # DC-Ground protection
- # 17/7 PH tapered stainless steel whip
- # PL version (suffix PL) with a special base connection suitable for magnetic mount installation (no cable supplied)

TECHNICAL DATA

Type: base loaded
 Impedance: 50 Ω
 Frequency range: 27 ... 30 MHz
 Polarization: linear vertical
 SWR @ res. freq.: ≤ 1.2
 Max. power: 2000 Watts (CW) Duty Cycle 5' on-5' off
 Bandwidth @ SWR ≤ 2: ≥ 1800 kHz (160 channel)
 Mounting:
 PERFORMER P2000 Coax hole Ø 12.5 mm, Ø 1/2 in
 PERFORMER P2000 PL UHF-male (PL 259)
 Cable length / Type:
 PL version not supplied
 Coax version: .. 4m, 13ft/standard RG58 (max power up to 600 Watts)
 Height (approx.): 1920 mm, 6.3 ft
 Weight (approx.): 730 gr, 1.6 lb

P/N 2218305.50 PERFORMER P2000 coax (standard cable)
 P/N 2218305.51 PERFORMER P2000 PL

P2000 3/8

FEATURES

- # CB & 10 m Trucker antenna
- # 17/7 PH Tapered whip 1.8m / 71"
- # 200mm / 8" Stainless Steel Shaft
- # Very high Power Handling capability

TECHNICAL DATA

Type: Trucker Antenna
 Impedance: 50 Ω
 Frequency range: 27 ... 30 MHz
 Polarization: linear vertical
 SWR @ res. freq.: ≤ 1.2
 Max. power: 1500 Watts (CW) continuous
 5000 Watts (CW) short time
 Bandwidth @ SWR ≤ 2: ≥ 2600 kHz (230 channel)
 Mounting: both model 3/8" x 24 thread
 Shaft version: shaft 200mm, 8"
 Cable length / Type: not supplied
 Height (approx.): 2080 mm, 6.8 ft
 Weight (approx.): 440 gr, 0.97 lb

P/N 2418305.03 PERFORMER P2000 3/8 w/shaft




PERFORMER P2000

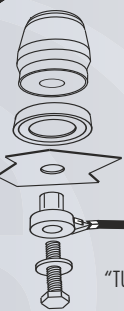


OPTIONAL HI-POWER CABLE
max power up to 2000 Watts
4m, 13 ft / RG 303 PTFE cable
P/N 2509605.00

HI-POWER MATCHING COIL




Low loss dielectric support.
Air wound big section copper wire
Ø 2.5mm
AWG 10



CAR BODY
Hole needed:
Ø 1/2"
Ø 12.5mm

Cable for "TURBO series"

P2000 Coax (cable supplied) for fixed installation hole required



UHF male (same connection of PL-259)

UHF female (like magnet mount or SO-239 connector)

P2000 PL (no cable supplied) for UHF-female installation



PERFORMER P2000 3/8



Optional "CB-HDS" 3/8 to SO-239
P/N 2508106.00



MADE IN ITALY since 1972

PERFORMER 5000 3/8

FEATURES

- # CB & 10 m Mobile antennas
- # Overall Height: 2.08m / 6.8'
- # 17/7 PH Tapered whip 1.8m / 71"
- # Shaft version: 200mm / 8" Stainless Steel Shaft
- # P5000 3/8 LED: Unique LED PCB that lighth up when transmit
- # Very high Power Handling capability
- # Low Loss Coil Made of 10 AWG / 2.5mm copper wire
- # Chrome plated brass parts CNC machined
- # Fully Designed & Manufactured in Italy

TECHNICAL DATA

Type: Trucker Antenna
 Impedance: 50 Ω
 Frequency range: 27 ... 30 MHz
 Polarization: linear vertical
 SWR @ res. freq.: ≤ 1.2
 Max. power: 1500 Watts (CW) continuous
 5000 Watts (CW) short time
 Bandwidth @ SWR ≤ 2: ≥ 2600 kHz (230 channel)
 Mounting: both model 3/8" x 24 thread
 Shaft version: shaft 200mm, 8"
 Cable length / Type: not supplied
 Height (approx.): 2080 mm, 6.8 ft
 Weight (approx.): 480 gr, 1.06 lb

P/N 2418505.03/LED PERFORMER 5000 3/8 LED w/shaft
 P/N 2418505.03 PERFORMER 5000 3/8 w/shaft
 P/N 2418505.03/A PERFORMER 5000 3/8 w/o shaft

SPECIAL DESIGN FOR THE USA



WITH CHROMED BRASS FIXING NUT

200mm, 8" STAINLESS STEEL SHAFT

CONNECTION 3/8 x 24 THREADS

HI-POWER MATCHING COIL



Low loss dielectric support.
 Air wound big section copper wire
 Ø 2.5mm AWG 10



Optional "CB-HDS"
 3/8 to SO-239
 P/N 2508106.00



MADE IN ITALY since 1972

BULL Trucker

FEATURES

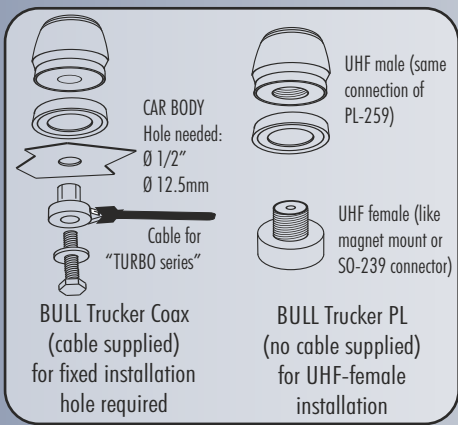
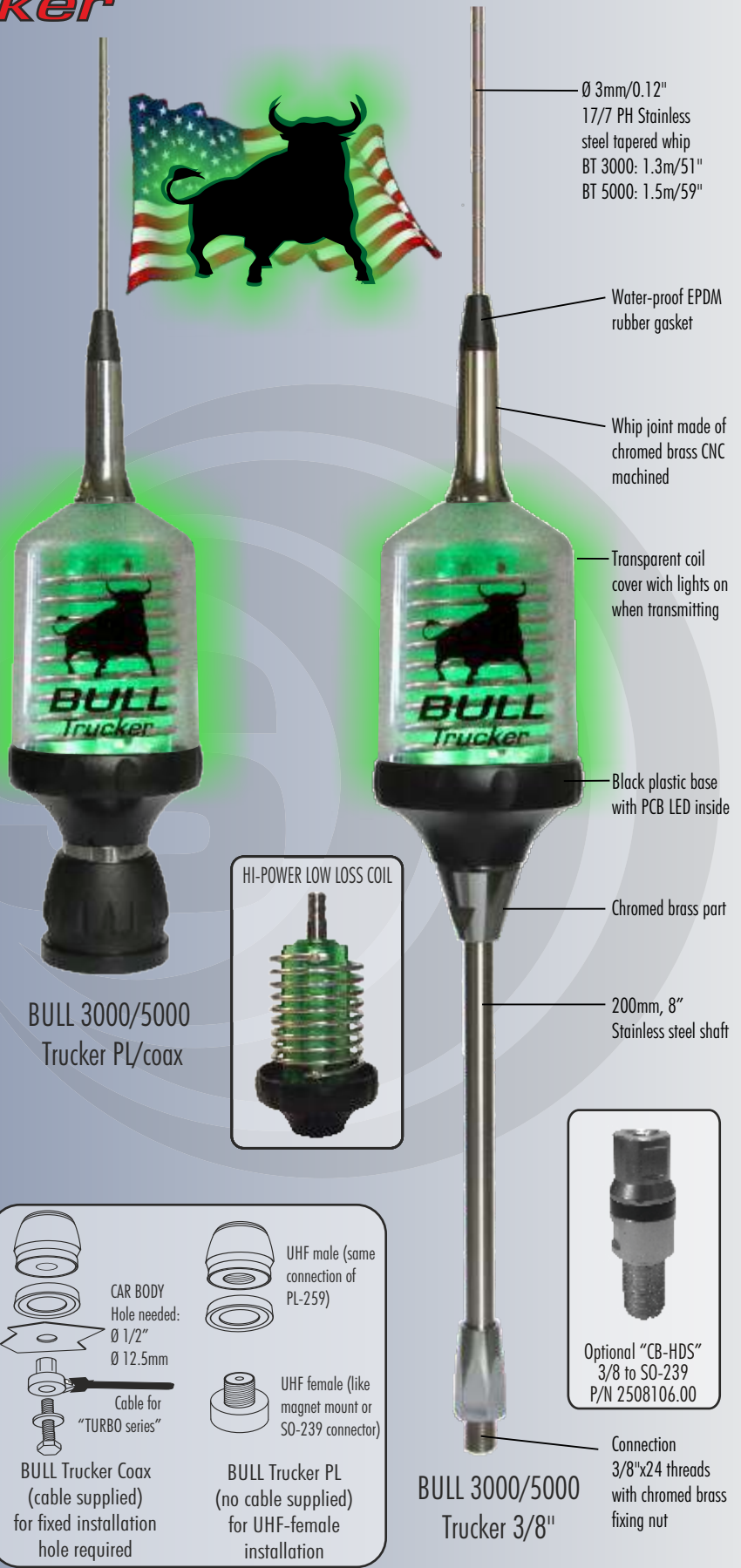
- # Very High Power CB & 10 m Trucker and Mobile antennas
- # Exclusive LED PCB inside that's light Up when transmitting
- # 17/7 PH tapered whip w/metallic cap
- # Low-Loss High "Q" Air Wound Coil Design of 48mm/1.9" Uses 3mm/9-AWG wire
- # Coil design without soldering points, all junctions are screwed on
- # NOAA Weather Alert Reception capability
- # Use as a Single Antenna or Twin Co-Phased

TECHNICAL DATA

Type:	Mobile Antenna
Impedance:	50 Ω
Frequency range:	
BULL 3000/5000 Trucker 3/8"	26.5 ... 30 MHz
BULL 3000/5000 Trucker PL/coax	27 ... 30 MHz
Polarization:	linear vertical
SWR @ res. freq.:	≤ 1.2
Max. power:	
BULL 3000 Trucker series	3500 Watts (ICAS)
BULL 5000 Trucker series	5000 Watts (ICAS)
Bandwidth @ SWR ≤ 2:	
BULL 3000 Trucker PL/coax	≥ 1100 kHz (100 channel)
BULL 3000 Trucker 3/8"	≥ 1500 kHz (130 channel)
BULL 5000 Trucker PL/coax	≥ 1400 kHz (120 channel)
BULL 5000 Trucker 3/8"	≥ 1900 kHz (170 channel)
Mounting:	
BULL 3000/5000 Trucker Coax	hole Ø 12.5 mm, 0.5 in
BULL 3000/5000 Trucker PL	UHF-male (PL 259)
BULL 3000/5000 Trucker 3/8"	3/8"x24 thread w/shaft 200mm, 8"
Cable lenght / Type:	
BULL 3000/5000 Trucker Coax	
..... standard cable max power up to 600 Watts:	4 m, 13 ft / RG 58
BULL 3000/5000 Trucker PL or 3/8"	not supplied
Height (approx.):	
BULL 3000 Trucker PL/coax	1445 mm, 4.7 ft
BULL 3000 Trucker 3/8"	1600 mm, 5.2 ft
BULL 5000 Trucker PL/coax	1645 mm, 5.4 ft
BULL 5000 Trucker 3/8"	1800 mm, 5.9 ft
Weight (approx.):	440 gr, 0.96 lb

P/N 2218605.50	BULL 3000 Trucker Coax (cable standard)
P/N 2218605.51	BULL 3000 Trucker PL
P/N 2418605.03	BULL 3000 Trucker 3/8"

P/N 2218705.50	BULL 5000 Trucker Coax (cable standard)
P/N 2218705.51	BULL 5000 Trucker PL
P/N 2418705.03	BULL 5000 Trucker 3/8"





MADE IN ITALY since 1972

FLEX-LOG

FEATURES

- # CB Mobile antennas
- # Exclusive Logarithmic pitch winding to reduce heat and hot-spot loss (Patent Pending)
- # Flexible fiberglass rod (Ø7mm, 1/4")
- # Real input power guaranteed

TECHNICAL DATA

Type: .. Ø0.63mm AWG-22 single wire winding logarithmic loaded
 Impedance: 50 Ω
 Frequency range: 26.9 ... 27.5 MHz
 Polarization: linear vertical
 SWR @ res. freq.: FLEX-LOG 3 / FLEX-LOG 4 ≤ 1.4 / ≤ 1.2
 Max. power:
 FLEX-LOG 3 ... 100Watts (CW) continuous, 300Watts (CW) short time
 FLEX-LOG 4 ... 250Watts (CW) continuous, 750Watts (CW) short time
 Bandwidth @ SWR ≤ 2:
 FLEX-LOG 3 / FLEX-LOG 4: ≥ 600 kHz / ≥ 1000 kHz
 Height (approx.):
 FLEX-LOG 3 / FLEX-LOG 4: 880 mm, 2.9 ft / 1260 mm, 4.1 ft
 Weight (approx):
 FLEX-LOG 3 / FLEX-LOG 4: 135gr, 0.3 lb / 175gr, 0.4 lb

P/N 2407915.03 FLEX-LOG 3

P/N 2408015.03 FLEX-LOG 4

TWIN-LOG

FEATURES

- # CB Mobile antennas
- # The Exclusive Parallel Connected Twin Wire and the Logarithmic pitch winding to reduce RF resistance, heat loss and doubles the power rate (Patent Pending)
- # Heavy duty fiberglass rod (Ø9.2mm, 3/8")
- # Real input power guaranteed

TECHNICAL DATA

Type: Ø1mm AWG-18 Twin wire winding logarithmic loaded
 Impedance: 50 Ω
 Frequency range: 26.7 ... 27.7 MHz
 Polarization: linear vertical
 SWR @ res. freq.: TWIN-LOG 3 / 4 / 5 ≤ 1.5 / ≤ 1.3 / ≤ 1.2
 Max. power:
 TWIN-LOG 3 .. 300Watts (CW) continuous, 900Watts (CW) short time
 TWIN-LOG 4 . 500Watts (CW) continuous, 1500Watts (CW) short time
 TWIN-LOG 5 1000Watts (CW) cont., 3000Watts (CW) short time
 Bandwidth @ SWR ≤ 2:
 TWIN-LOG 3 / 4 / 5 ≥ 600 kHz / ≥ 1100 kHz / ≥ 1500 kHz
 Height (approx.):
 TWIN-LOG 3 / 4 / 5 945mm, 3ft / 1250mm, 4ft / 1475mm, 4.75ft
 Weight (approx):
 TWIN-LOG 3 / 4 / 5 .. 300gr, 0.66lb / 350gr, 0.77lb / 390gr, 0.96lb

P/N 2408115.03 TWIN-LOG 3

P/N 2408215.03 TWIN-LOG 4

P/N 2408315.03 TWIN-LOG 5

SPECIAL DESIGN FOR THE USA



FLEX-LOG

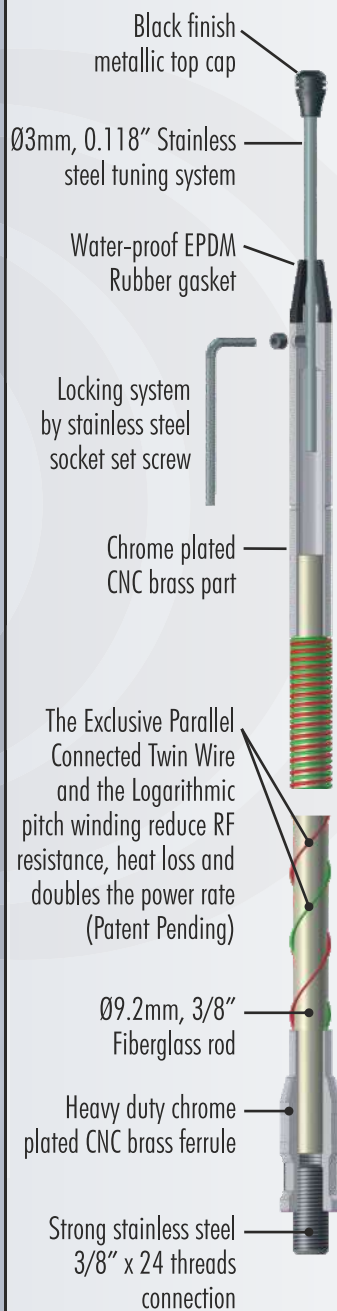


Optional "CB-HDS"
3/8 to SO-239
P/N 2508106.00

REAL HI-POWER HANDLING

3/8" x 24 threads connection

TWIN-LOG Technical Details



TWIN-LOG